

LM3800W

WIFI MYQ DC PLUG-IN GARAGE DOOR OPENER

Maintenance-free plug-in garage door opener for sectional doors.

WARRANTY

MOTOR: 5 YEARS
CONTROL BOARD: 5 YEARS
ACCESSORIES: 2 YEARS

SPEED

MAX. 36 RPM
(TO OPEN)
MAX. 21 RPM
(TO CLOSE)

SILENT DC MOTOR

REDUCES NOISE AND
VIBRATIONS

OPTIONAL BACKUP BATTERY

2.6 W STANDBY
CONSUMPTION



EUROPE'S FIRST
JACKSHAFT GARAGE
DOOR OPENER WITH
INTEGRATED WIFI!



KEY FEATURES

**WALL MOUNT
RESIDENTIAL WI-FI
GARAGE DOOR OPENER**
for quick and easy MyQ setup

SPACE-SAVING
design allows
versatile application

LIFTING POWER
for doors up to 130 kg



myQ

ACCESSORIES INCLUDED:

827EV



MYQ RADIO LED LIGHTING

Low power, long-lasting LED lighting for flexible positioning (1,500 lm).

041-0003



COUPLING

Secure connection between the shaft and the drive.

841EU



E-LOCK 12V

Automatically locks the garage door every time you closed it.

TX4EVF

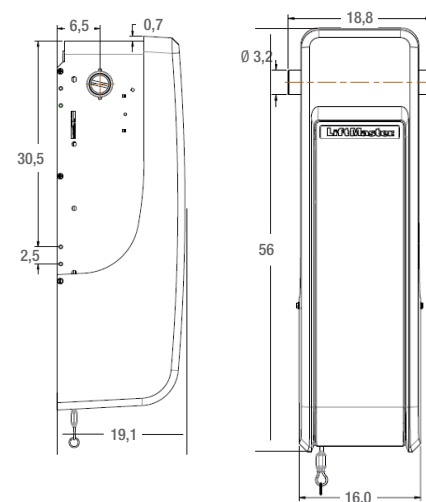
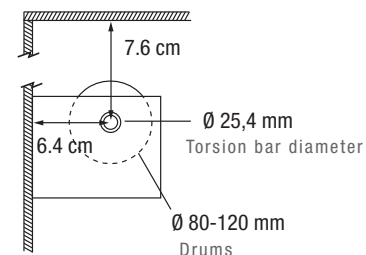
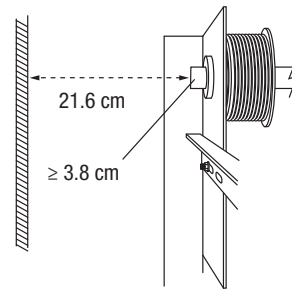


4-CHANNEL REMOTE CONTROL

For up to 4 drives.

TECHNICAL DATA

Input voltage	230-240 VAC, 50 Hz
Max. torque	36 Nm - AC + BATTERY 29 Nm - only AC
Nominal torque	10 nm
Power	150 W
Standby	2.6 W
Motor type	DC geared motor with permanent lubrication
Noise levels	57 dB
Travel speed	21 r/min (down), 36 r/min (up)
Safety functions	Automatic reversing during downward travel Automatic stop during upward travel
Electronic	Automatic force detection and obstacle detection
Electrical	Transformer overload protection and low voltage push-button wiring
Limit switch	Electronic
Start circuit	low voltage push-button circuit
Max. door height	3 m
Max. door width	5.5 m
Max. door area	16.5
Max. door weight	130 kg
Weight	11 kg
Receiver storage register	64
Operating frequency	433/868 MHz, 2.4 GHz (WIFI)
Installation requirements	Torsion bar diameter \varnothing 25,4 mm Required side clearance min. 21.6 cm
Connectable accessories	Wall control/Keyswitch, Safety sensor, Multifunctional wall control, LED Flashing Light, Cable tension monitor, E-lock (up to 2 locks)



INNOVATIVE WIFI TECHNOLOGY.

BENEFITS OF TECHNOLOGY:

- quick and easy setup directly on the drive via smartphone or tablet
- no separate gateway required

INTUITIVE AND FAST SETUP

- Establish WiFi connection to the router
- Create a MyQ Account

- Add drive and get started



FOR MORE INFORMATION, PLEASE VISIT LIFTMASTER.EU

© 2019 LiftMaster all rights reserved
 Chamberlain GmbH, Alfred-Nobel-Str. 4, D-66793, Saarwellingen
Please note – new address from June 2019:
 Chamberlain GmbH, Saar-Lor-Lux-Str. 19, D-66115 Saarbrücken
 LiftMaster.eu, WEEE-Reg.No. DE66256568
 MyQ[®] is a registered trademark of the Chamberlain Group
 HomeLink[®] is a trademark of Gentex Corporation Wi-Fi[®] is a
 registered trademark of the Wi-Fi Alliance
 9SLM3800W02